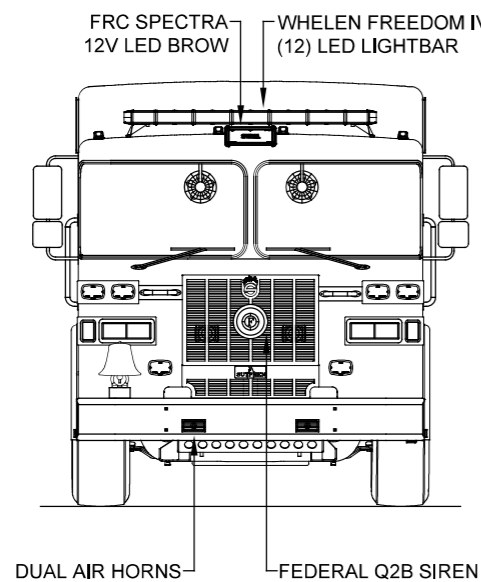
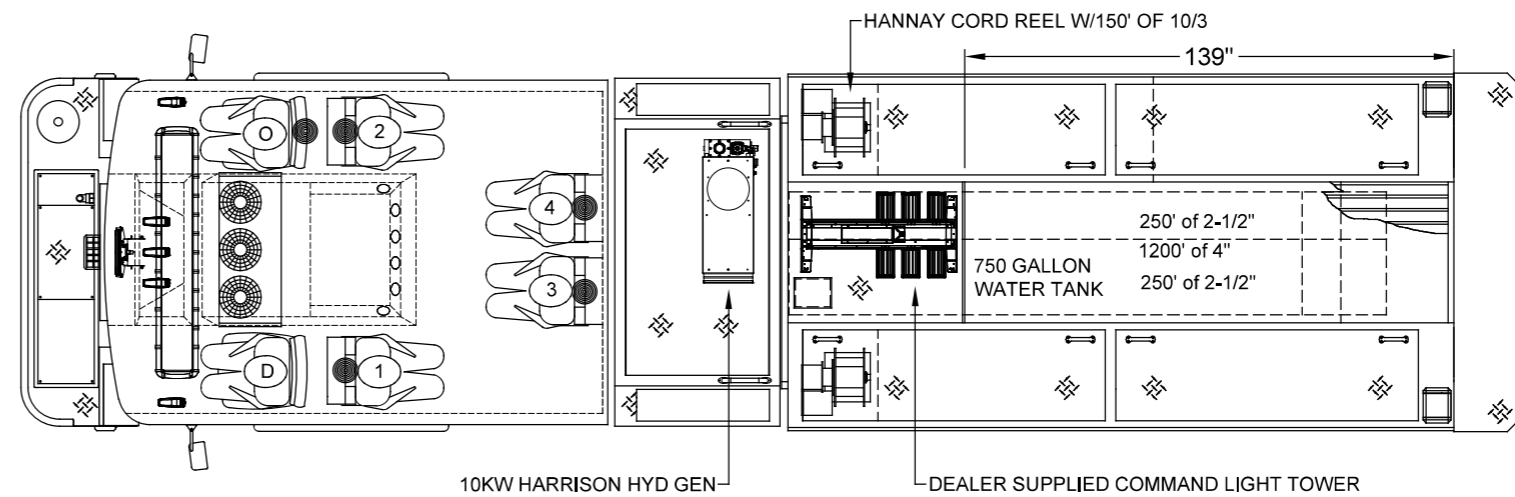
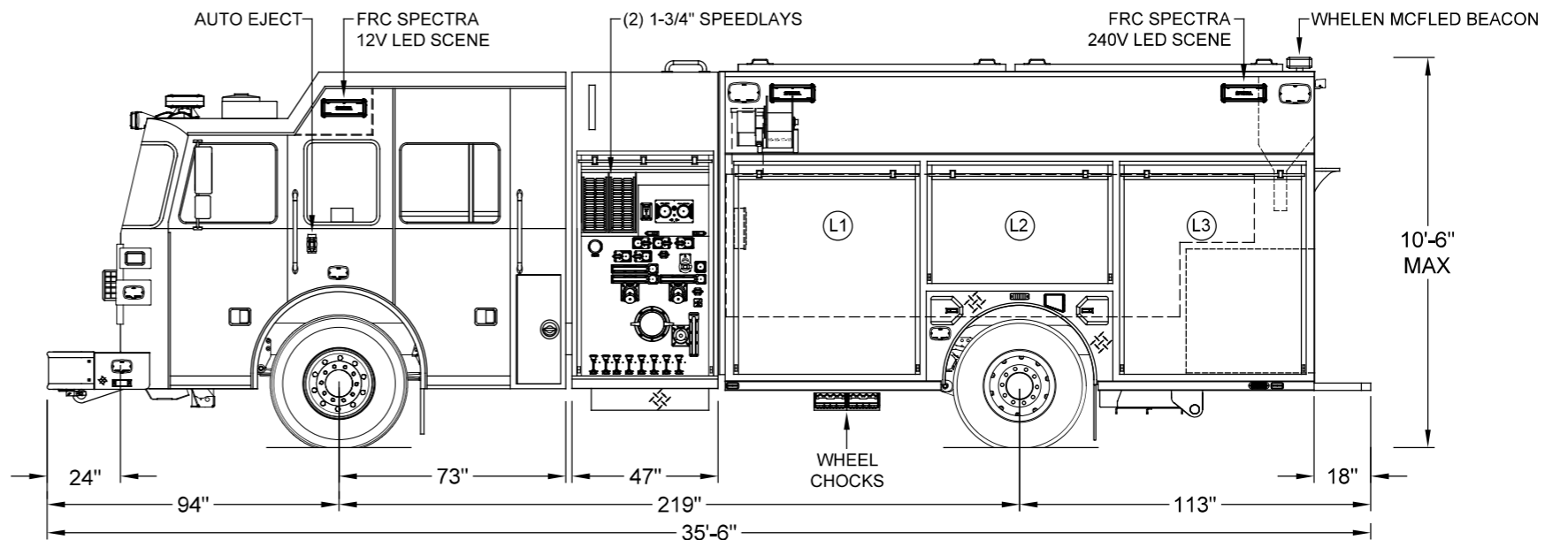


LEFT SIDE COMPARTMENTATION				
COMPT	DOORS	OPENING DIMENSIONS	INSIDE DIMENSIONS	VOLUME
L1	ROLL-UP	57" w X 62 7/8" h	60" W x 72" H x 28" D	70 CU. FT.
L2	ROLL-UP	57" w X 33 5/8" h	60" W x 42" H x 28" D	40 CU. FT.
L3	ROLL-UP	57" w X 62 7/8" h	65" W x 72" H x 28" D	75 CU. FT.
185 CU. FT.				
RIGHT SIDE COMPARTMENTATION				
COMPT	DOORS	OPENING DIMENSIONS	INSIDE DIMENSIONS	VOLUME
R1	ROLL-UP	57" w X 62 7/8" h	60" W x 72" H x 28" D	70 CU. FT.
R2	ROLL-UP	57" w X 33 5/8" h	60" W x 42" H x 28" D	40 CU. FT.
R3	ROLL-UP	57" w X 62 7/8" h	65" W x 72" H x 28" D	75 CU. FT.
185 CU. FT.				
REAR STEP COMPARTMENT				
COMPT	DOORS	OPENING DIMENSIONS	INSIDE DIMENSIONS	VOLUME
A1	ROLL-UP	37 1/2" w X 31" h	40" w X 40" h X 41" d	38 CU. FT.



LOWER WARNING PACKAGE
WHELEN 600 SUPER LEDS



DIMENSIONS SHOWN ON THIS DRAWING ARE APPROXIMATE AND ARE SUBJECT TO MINOR DEVIATIONS DURING CONSTRUCTION.

IN THE EVENT OF A DISCREPANCY BETWEEN THE SUTPHEN SPECIFICATIONS AND DRAWING, THE SUTPHEN SPECIFICATIONS SHALL PREVAIL.

DRAWING IS FOR REFERENCE ONLY. SOME ITEMS PROPOSED MAY NOT BE SHOWN OR NOTED.

CUSTOMER APPROVAL

NAME: _____

TITLE: _____

DATE: _____

REV.	DESCRIPTION	BY	DATE
A	REV-A SHOP ORDER	RM	05/08/17

THIS PRINT IS PROVIDED ON A RESTRICTED BASIS AND IS NOT TO BE USED IN ANY WAY DETRIMENTAL TO THE INTEREST OF SUTPHEN CORPORATION.

DRAWN BY: R.MILLER

DATE: 04/05/17

MFG. FACILITY: DUBLIN

SUTPHEN

EAST GLENVILLE FIRE DEPARTMENT
EAST GLENVILLE, NY

CUSTOM PUMPER - MODIFIED PA-16 BODY

DWG. NO.: HS-5990